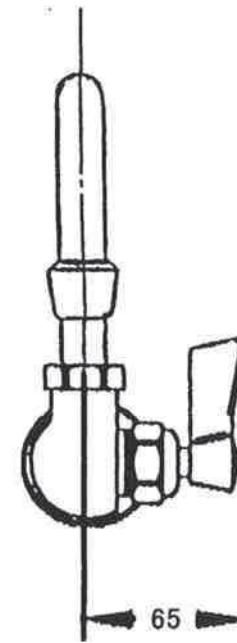
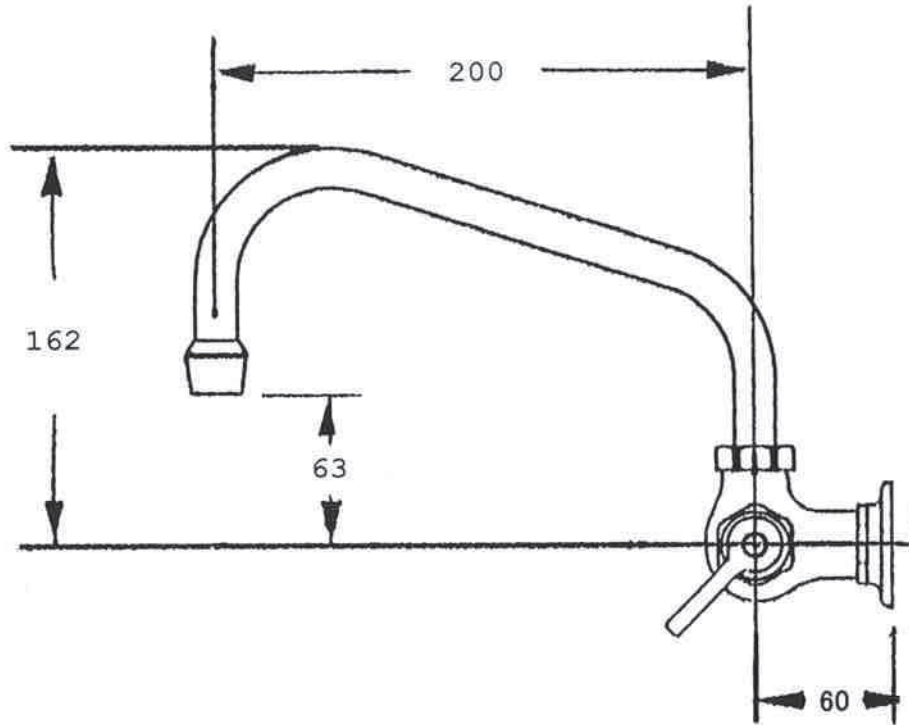
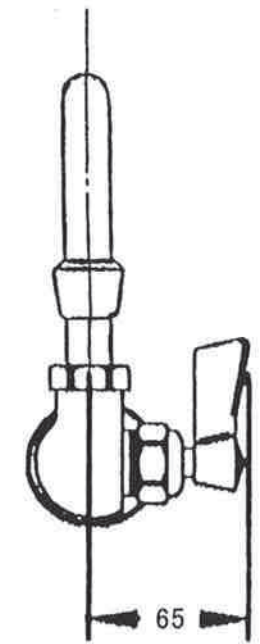
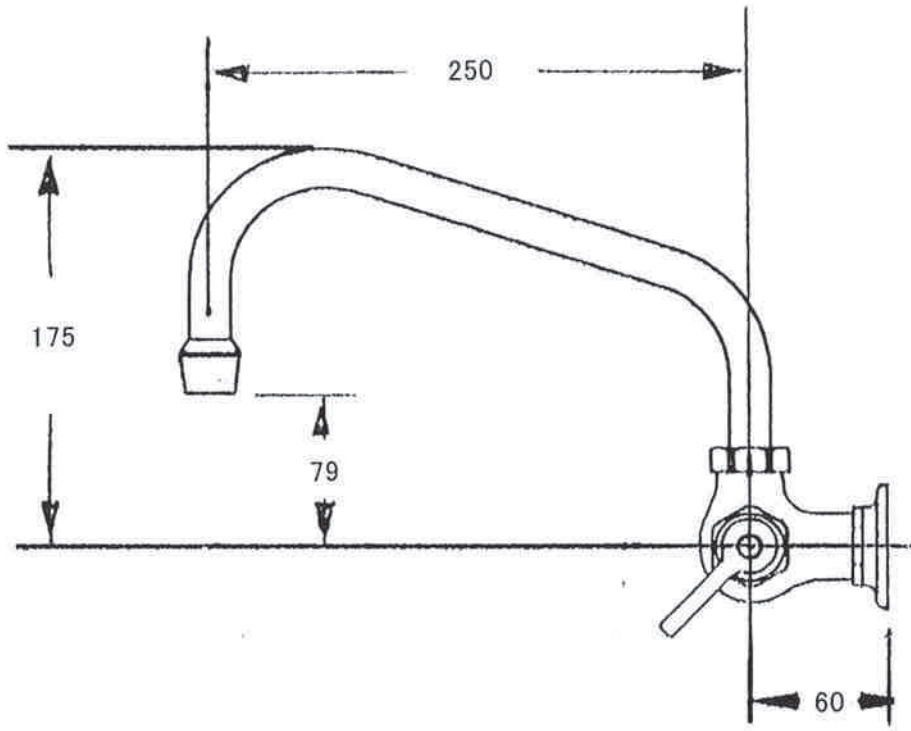


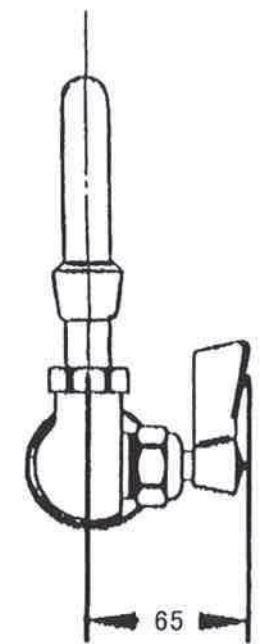
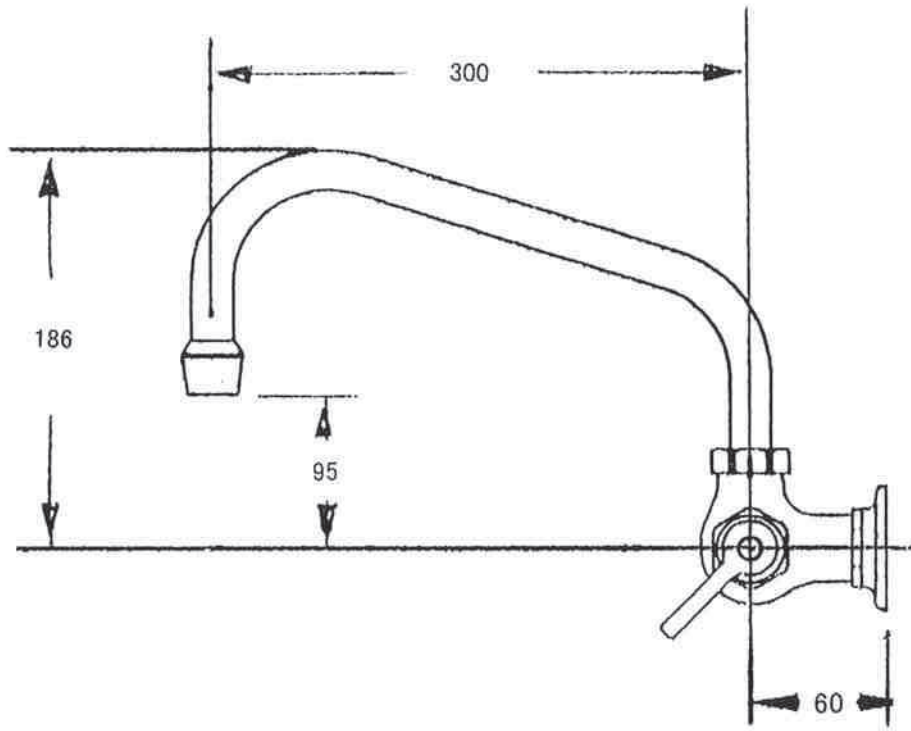
TOLERANCE	FINISH	CONCENTRICITY
DRAWN BY	CHECKED BY	DATE
Axia International Co., Ltd.		
SPEC. SHEET	畧	
SCALE	MATERIAL	DRAWING NO. 3710



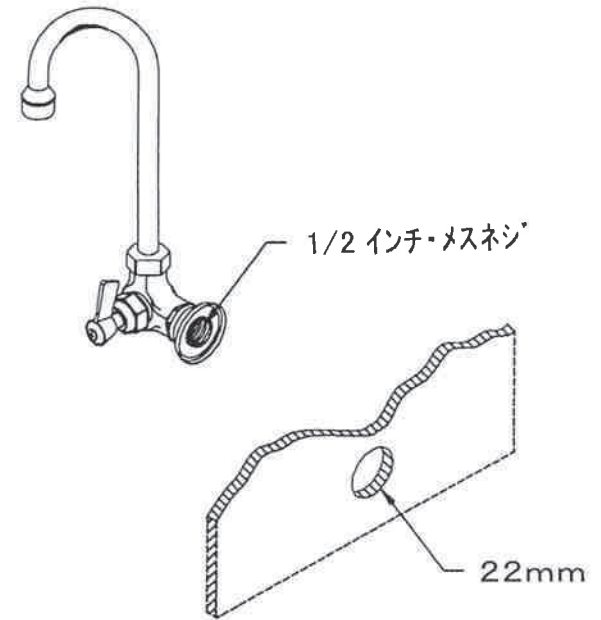
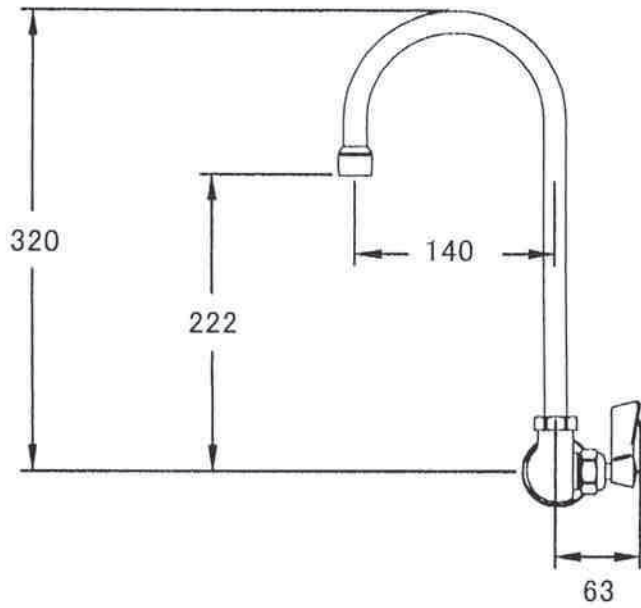
TOLERANCE	FINISH	CONCENTRICITY
DRAWN BY	CHECKED BY	DATE
Axia International Co., Ltd.		
SPEC. SHEET	畧	
SCALE	MATERIAL	DRAWING NO. 3711



TOLERANCE	FINISH	CONCENTRICITY
DRAWN BY	CHECKED BY	DATE
Axia International Co., Ltd.		
SPEC. SHEET	畧	
SCALE	MATERIAL	DRAWING NO. 3712



TOLERANCE	FINISH	CONCENTRICITY
DRAWN BY	CHECKED BY	DATE
Axia International Co., Ltd.		
SPEC. SHEET	製	
SCALE	MATERIAL	DRAWING NO. 3713



TOLERANCE	FINISH	CONCENTRICITY
DRAWN BY	CHECKED BY	DATE
Axia International Co., Ltd.		
SPEC. SHEET	品番	フォーセット
SCALE	MATERIAL	DRAWING NO. 3715